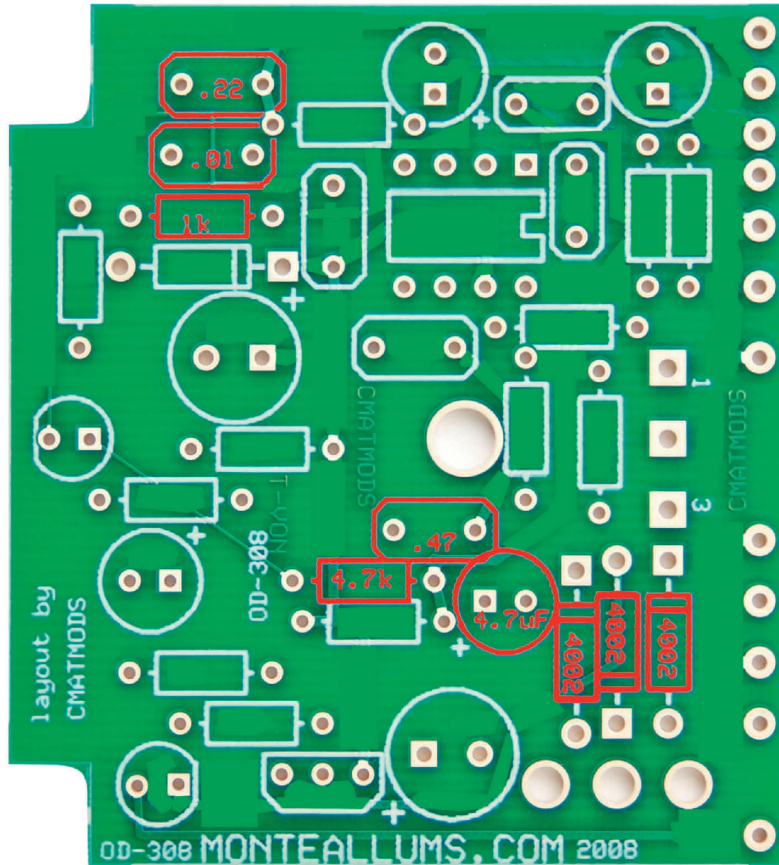


Monte Allums OD-308 Vintage Mod

IMPORTANT - I have been asked by many OD-308 owners to develop some cool mods for the OD-308. So I decided to create a mod that would get the OD-308 closer to the famous Vintage RAT 2. With this mod I have changed three of the clipping diodes to 1N914 diodes that were used in the Vintage RAT 2. I have also flattened the EQ by reducing the mids. But the really great news is the sweetness in the gain structure, that the OD-308 is famous for, has been retained. This mod is available free to all OD-308 owners so please feel free to distribute this PDF. I will not be selling the components as a kit for this but you can find them at Radio Shack or on the web. **Please Do Not e-mail me (I get way too much e-mail as it is ;-) asking me to sell you the components.** Well, that's it, enjoy the **OD-308 Vintage Mod!** — Monte Allums



NOTE - The components to mod are noted in red in the above pic. Simply find the component and change to the values listed below. Also, I recommend socketing the components so you can switch back to the regular OD-308. Keep the components you remove and place them in a baggy so you can use them later if you want to switch the pedal back to its original values. BTW, I sell the sockets here:

http://www.monteallums.com/pedal_mods.html#CA

Scroll down a bit and you'll see them. Using them will allow you to easily swap out components.

1N4002 Diodes — Change these three 1N4002 Diodes to three 1N914 Diodes.

.22uF Capacitor — Change this capacitor to .047uF.

.01uF Capacitor — Change this capacitor to .0033uF.

1k Resistor — Change this resistor to 1.5k

.47uF Capacitor — Change this capacitor to .047uF.

4.7k Resistor — Change this resistor to 2.2k. This will brighten the LED and has no affect on the tone.

4.7uF Capacitor — Change this capacitor to 10uF.

NOTE - I'll inevitably get an e-mail from someone wanting to know what type of resistors and caps I recommend. I recommend using Metal Film capacitors and resistors except on the 10uF cap I would use Tantalum but electrolytic will do fine.